



**Bematech**

*Kiosk Printer*

**KC-4112**

*Outline Drawings*

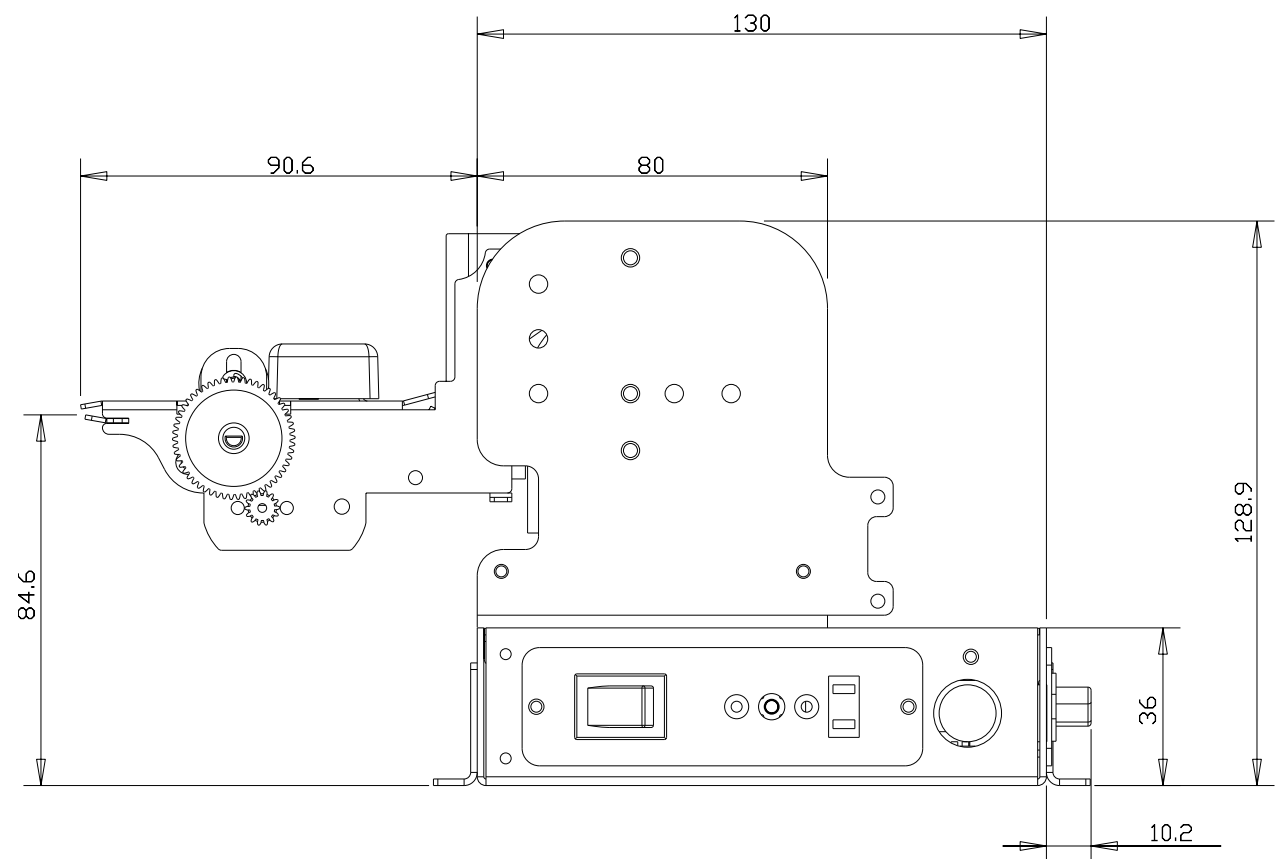
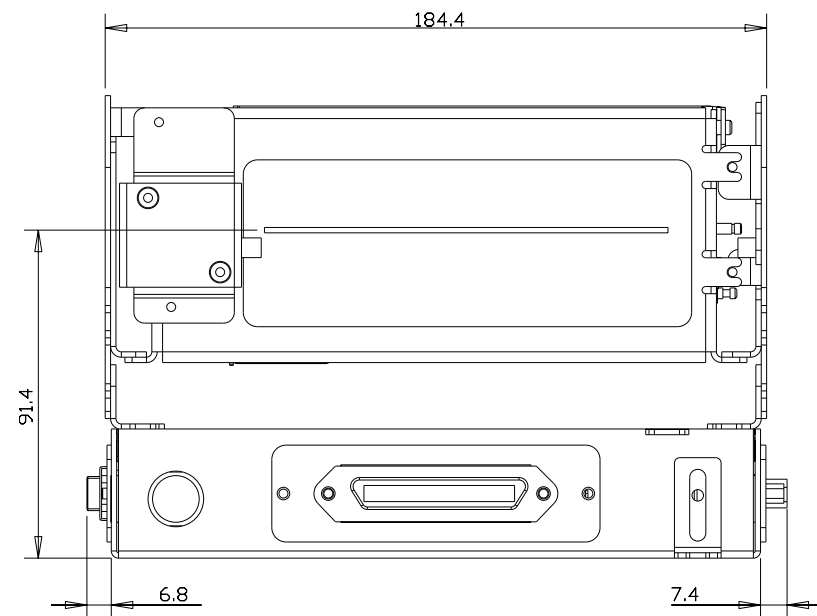
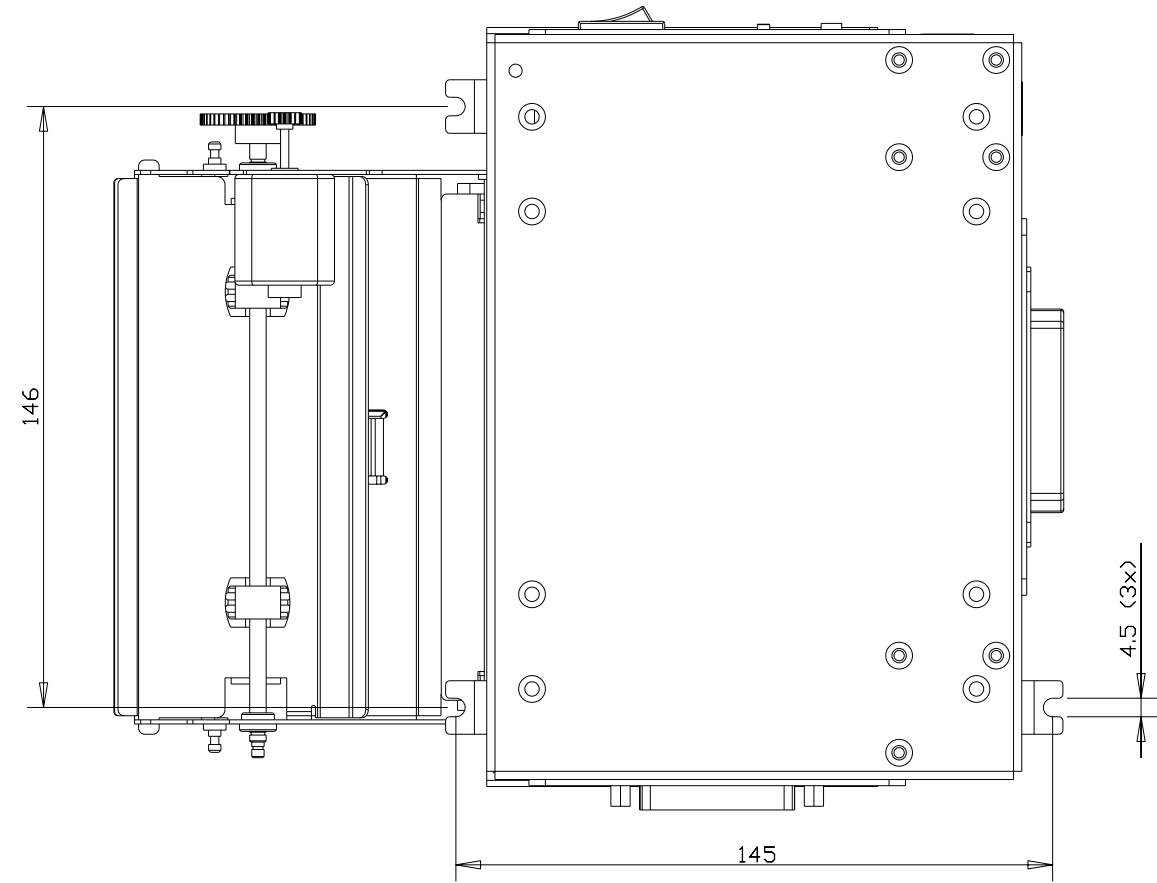
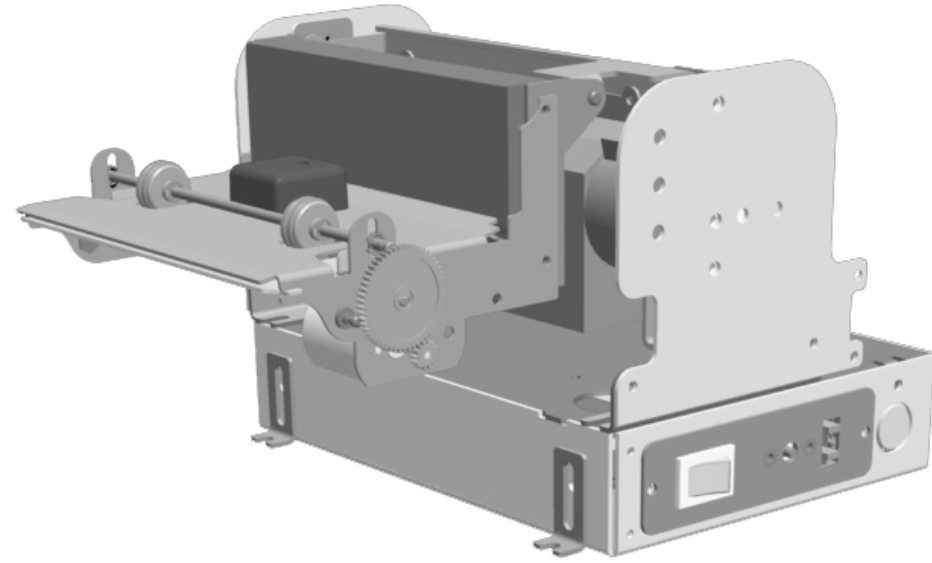
*P/N: 6716  
Revision 0.9*

## *Summary*

---

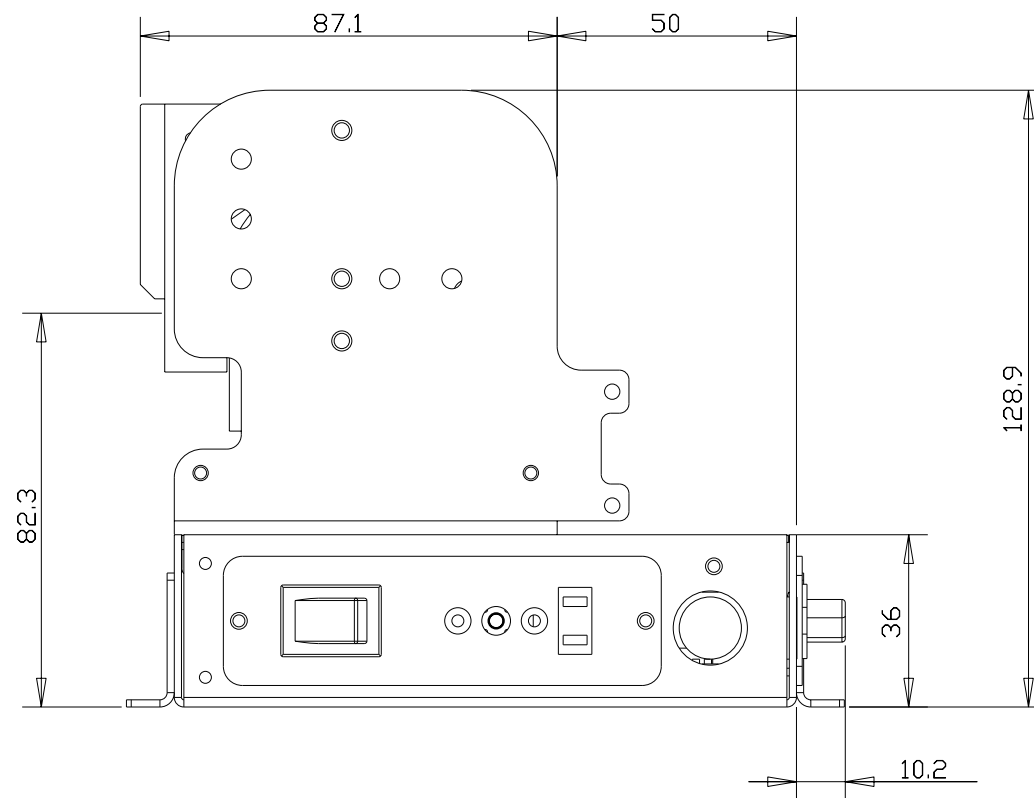
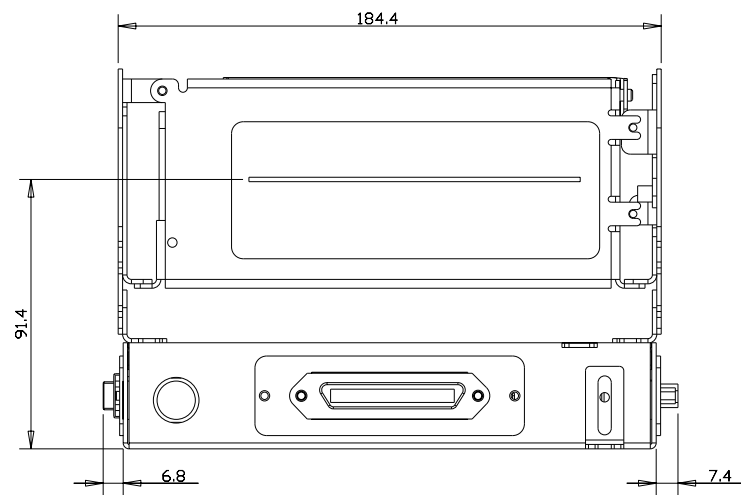
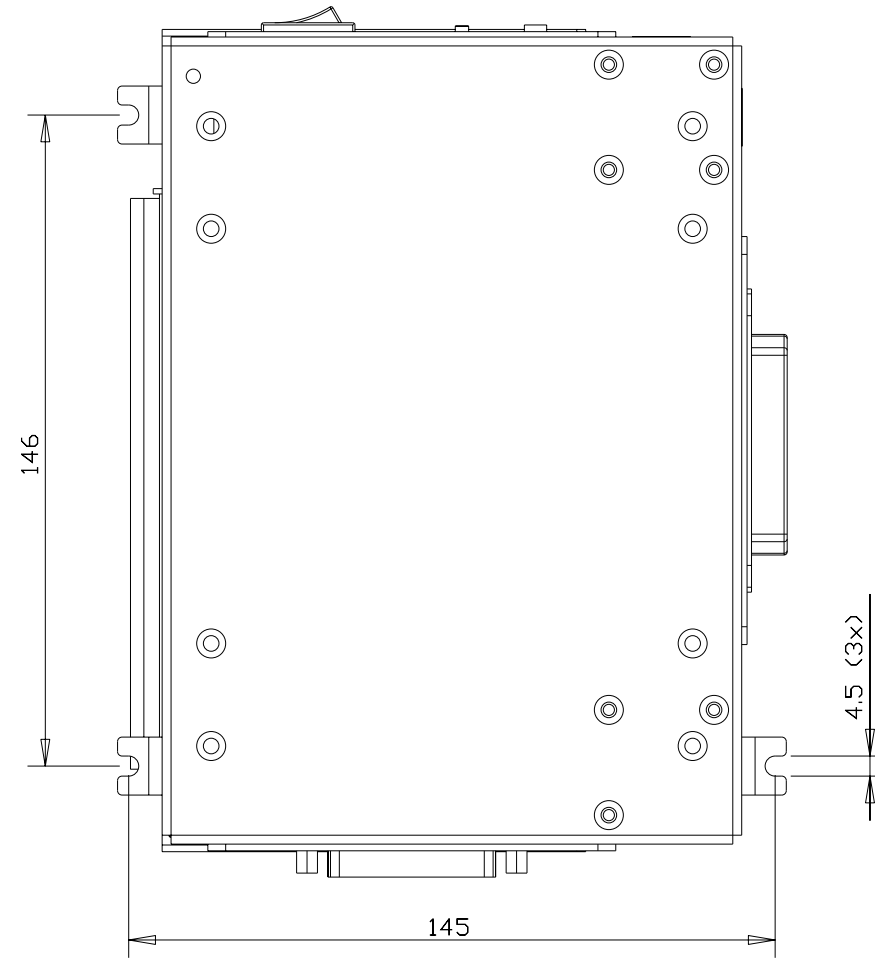
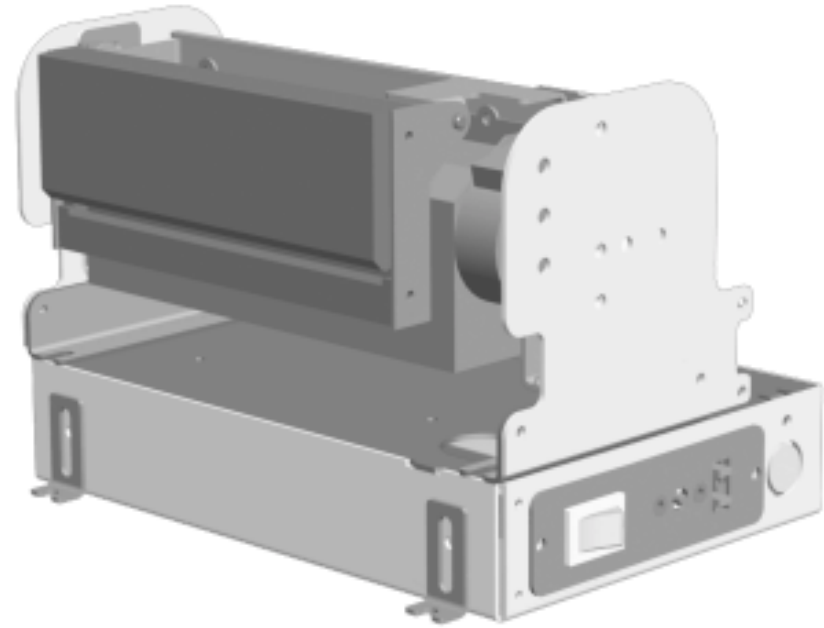
|                                     |   |
|-------------------------------------|---|
| Stacked with presenter .....        | 3 |
| Stacked without presenter .....     | 4 |
| Low profile with presenter .....    | 5 |
| Low profile without presenter ..... | 6 |
| Cut & Drop without presenter .....  | 7 |
| Side mount with presenter .....     | 8 |
| Side mount without presenter .....  | 9 |

Stacked with presenter



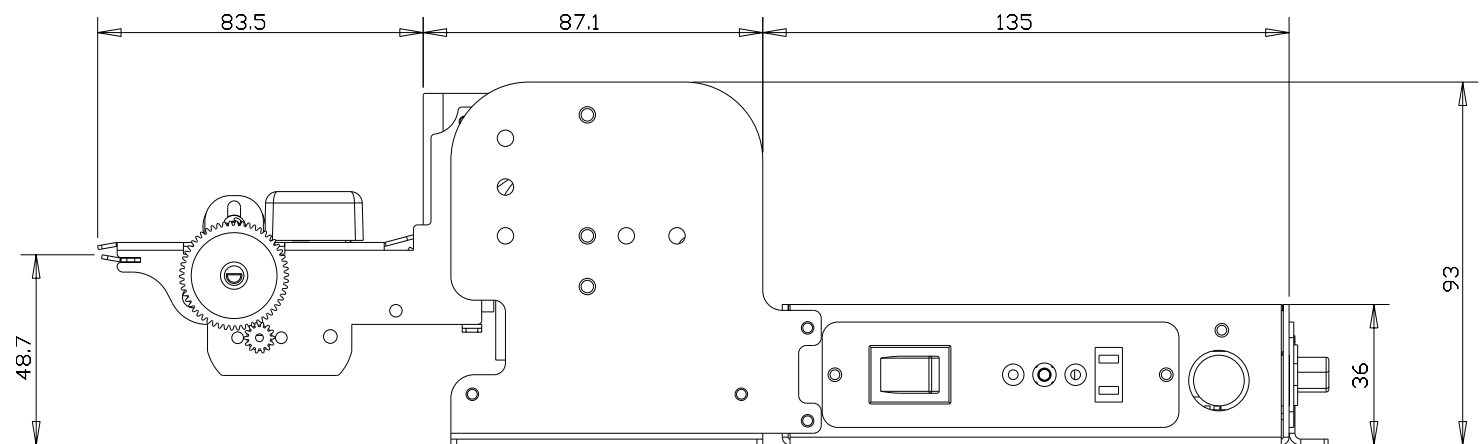
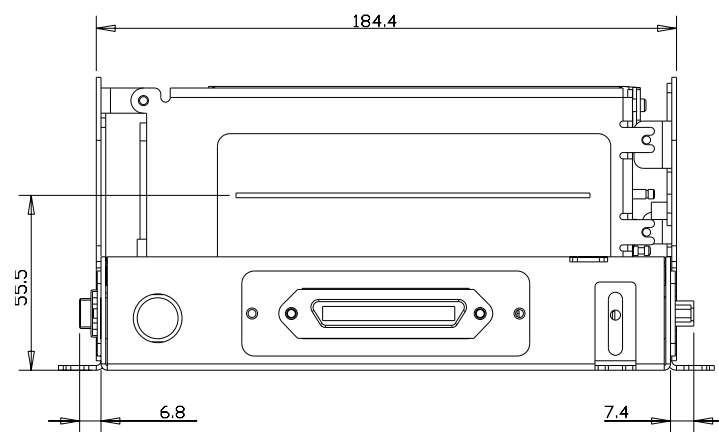
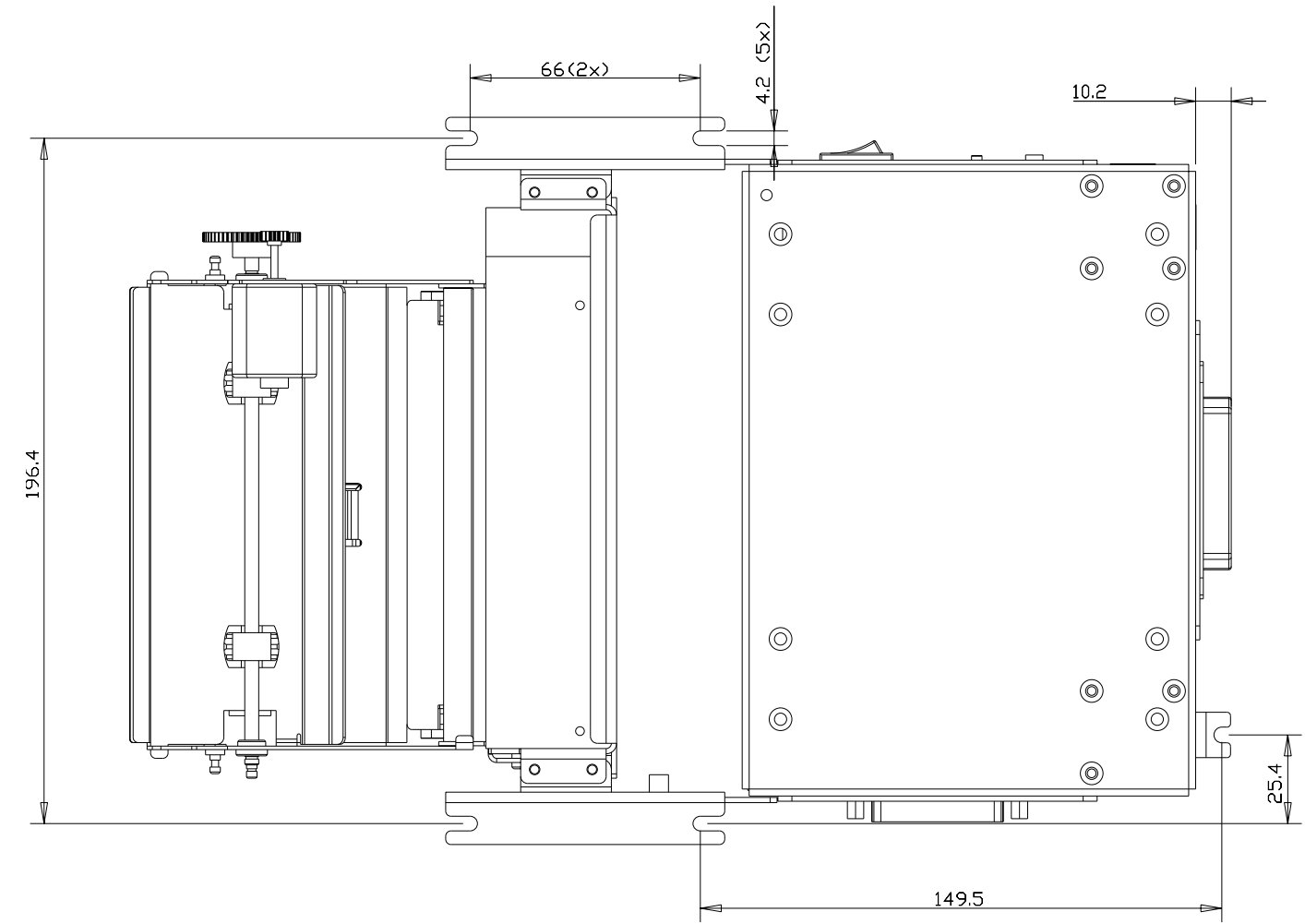
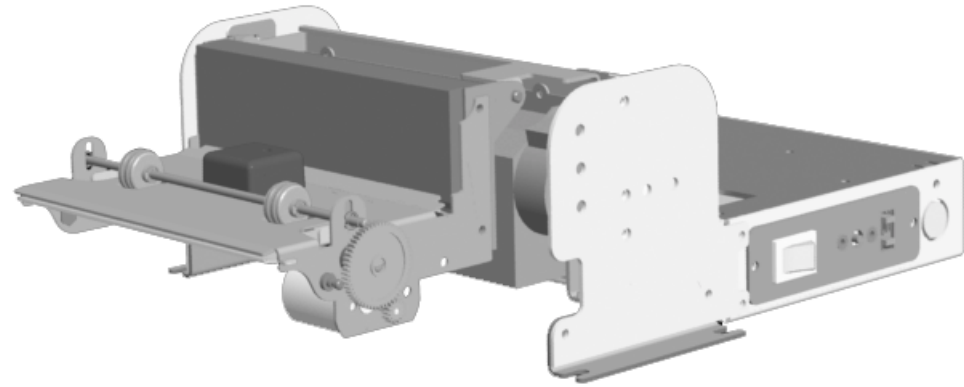
Dimensions in mm

Stacked without presenter



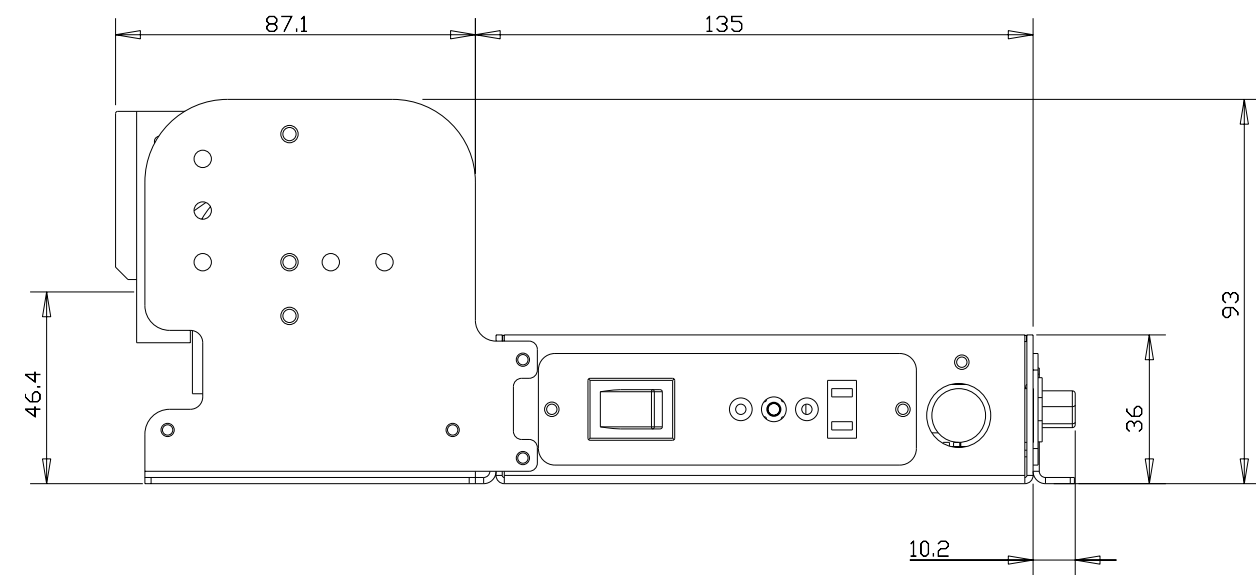
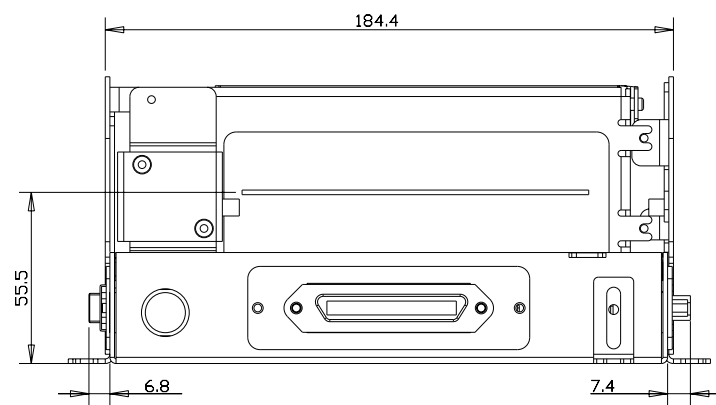
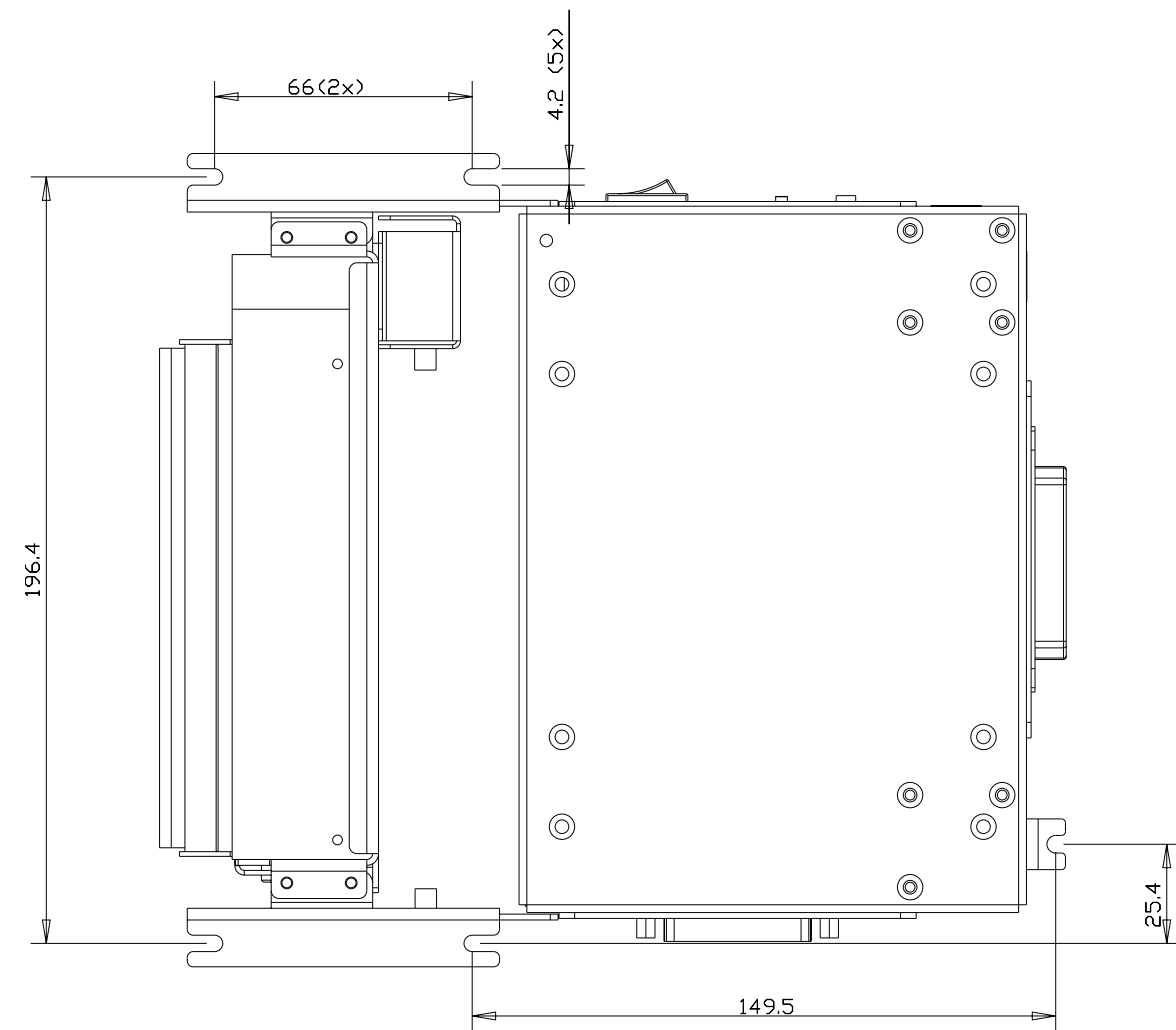
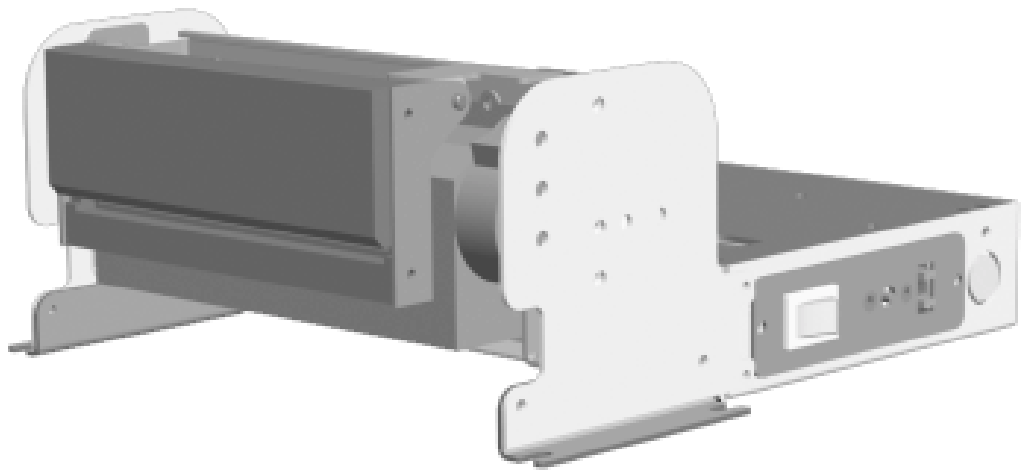
Dimensions in mm

Low profile with presenter



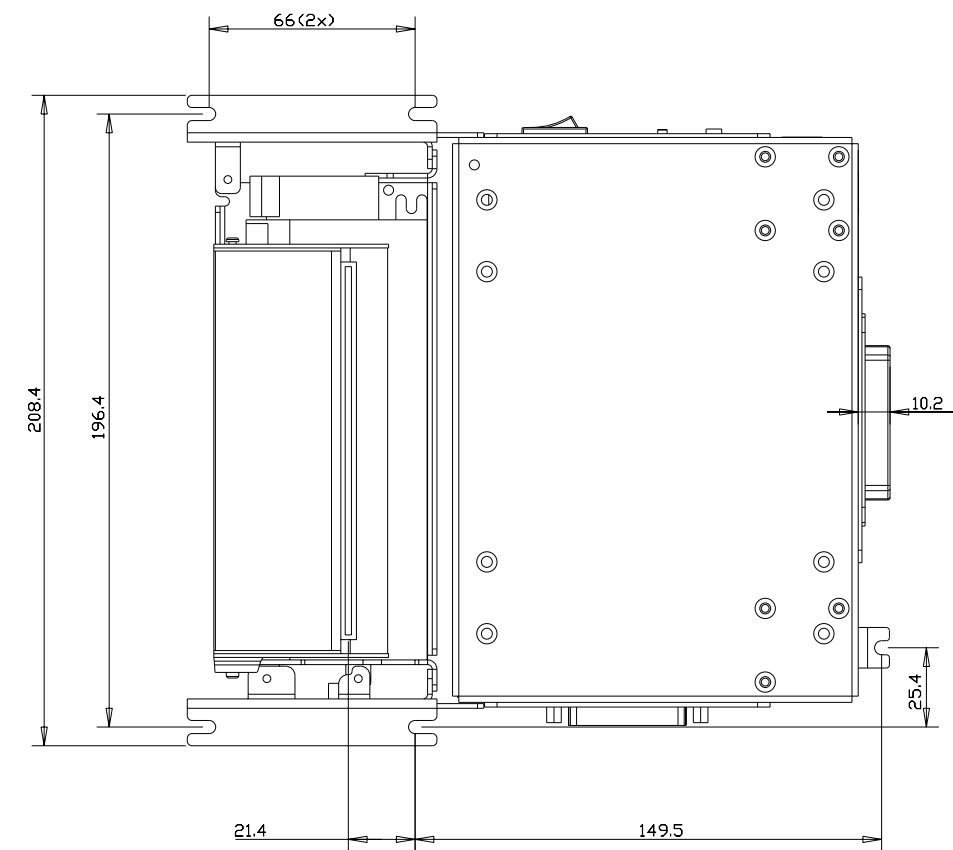
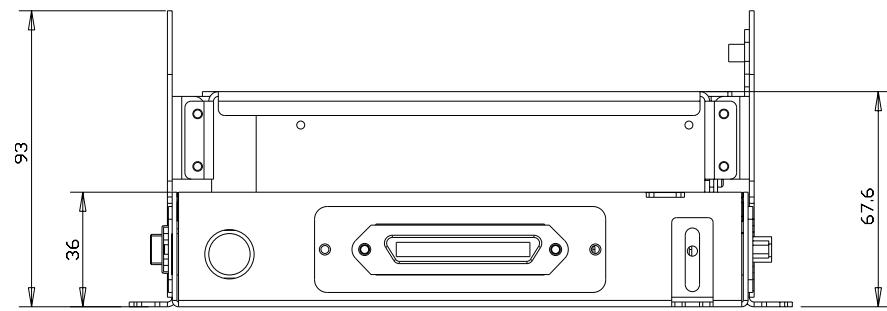
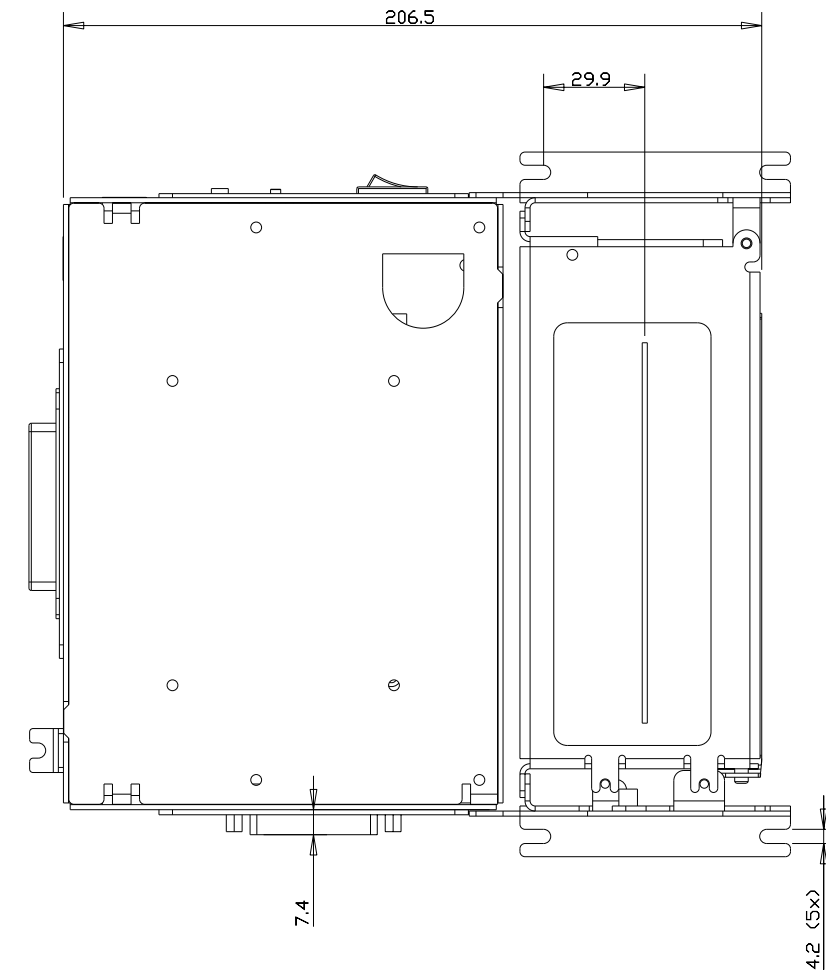
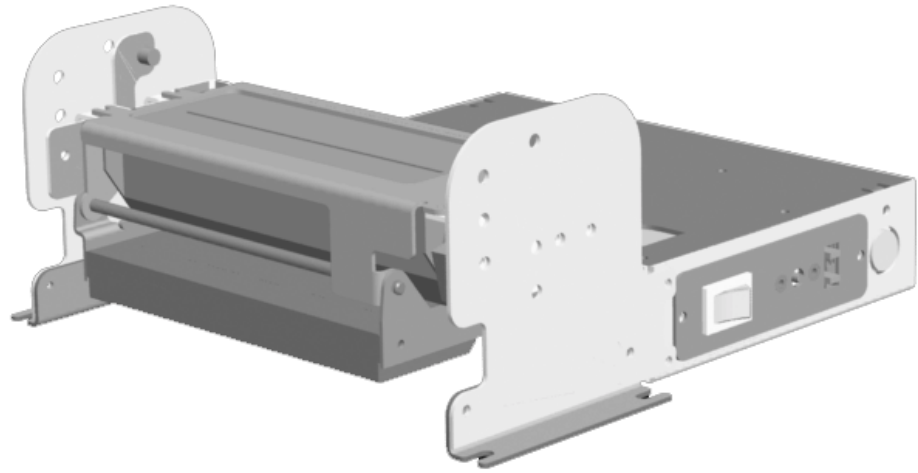
Dimensions in mm

Low profile without presenter



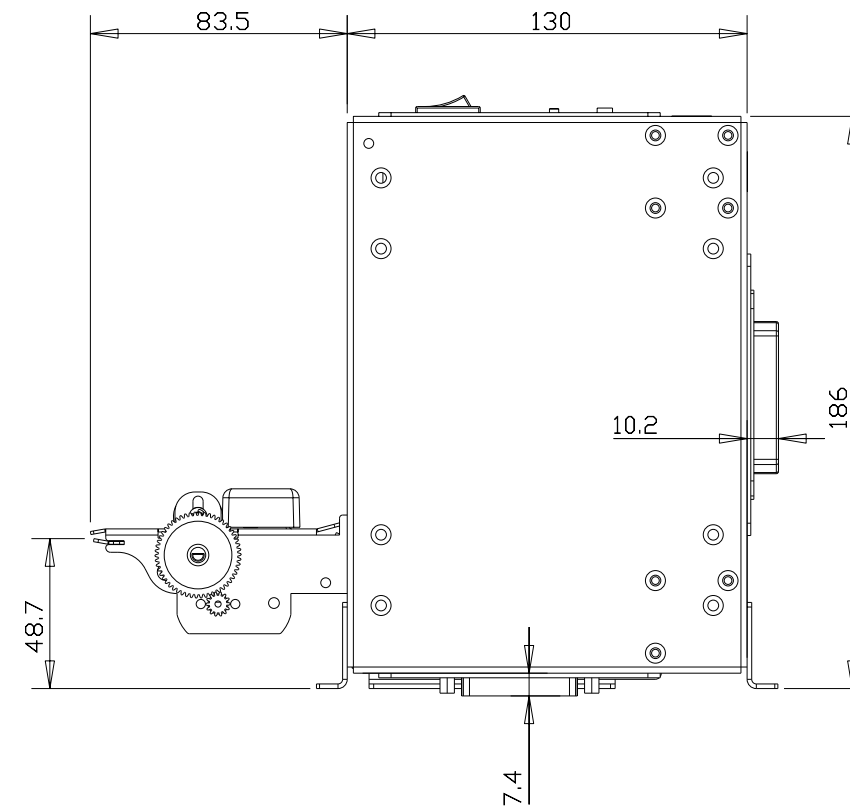
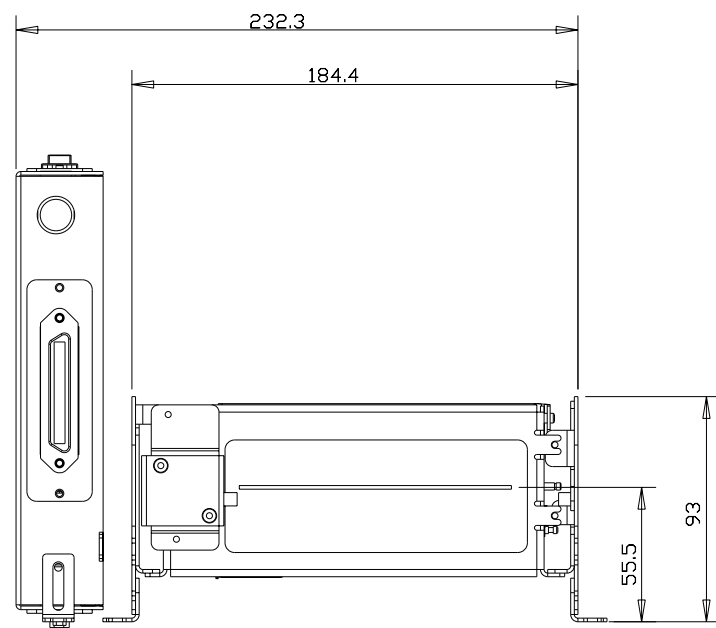
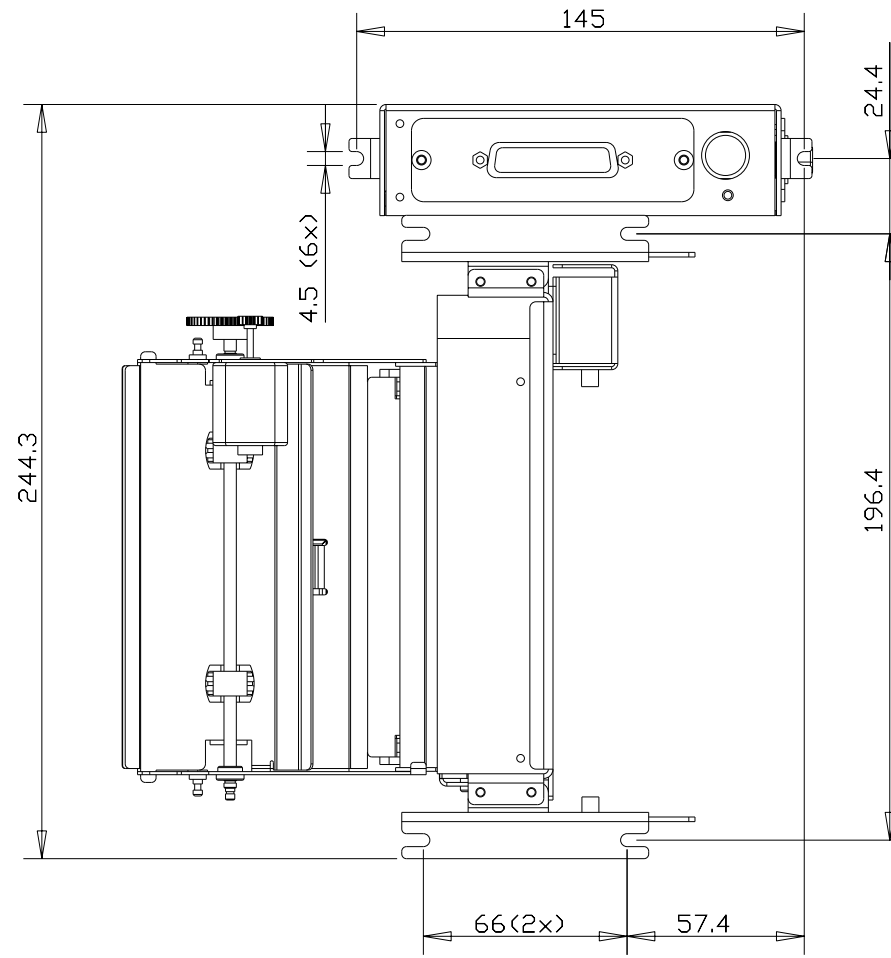
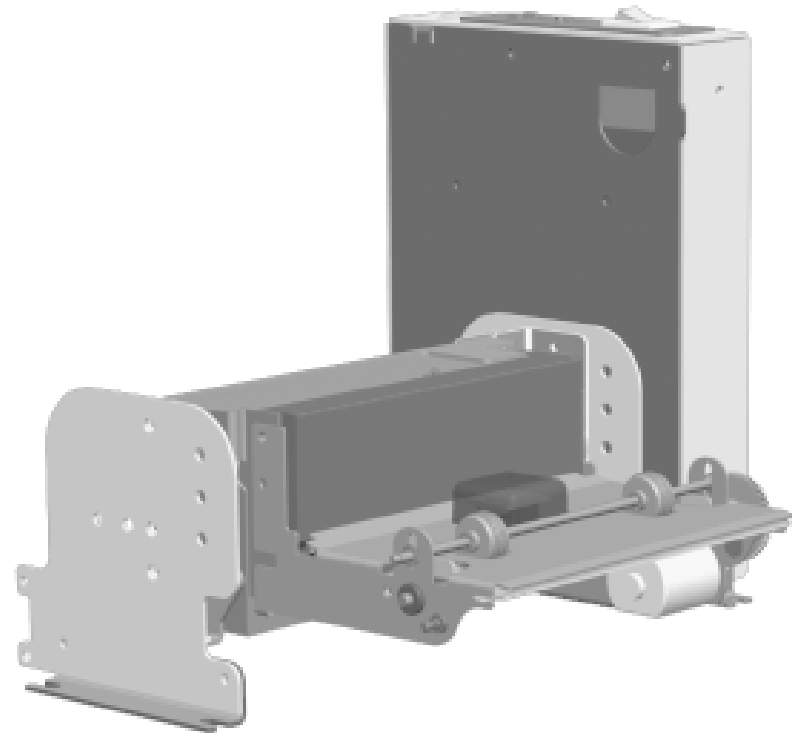
Dimensions in mm

Cut and Drop



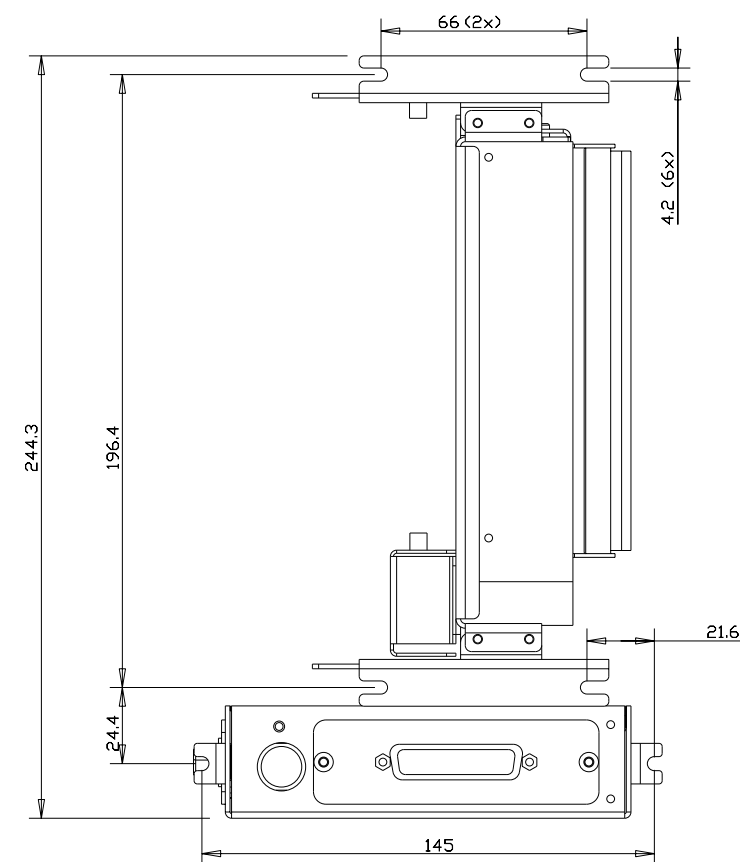
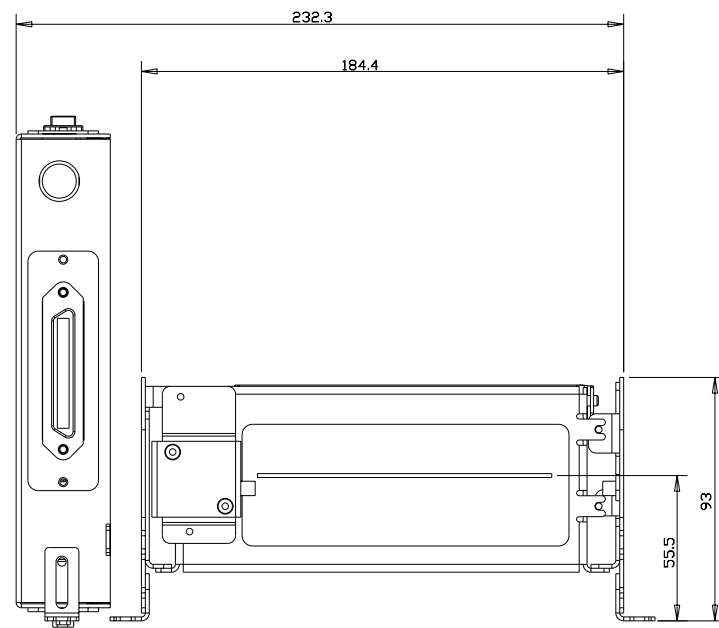
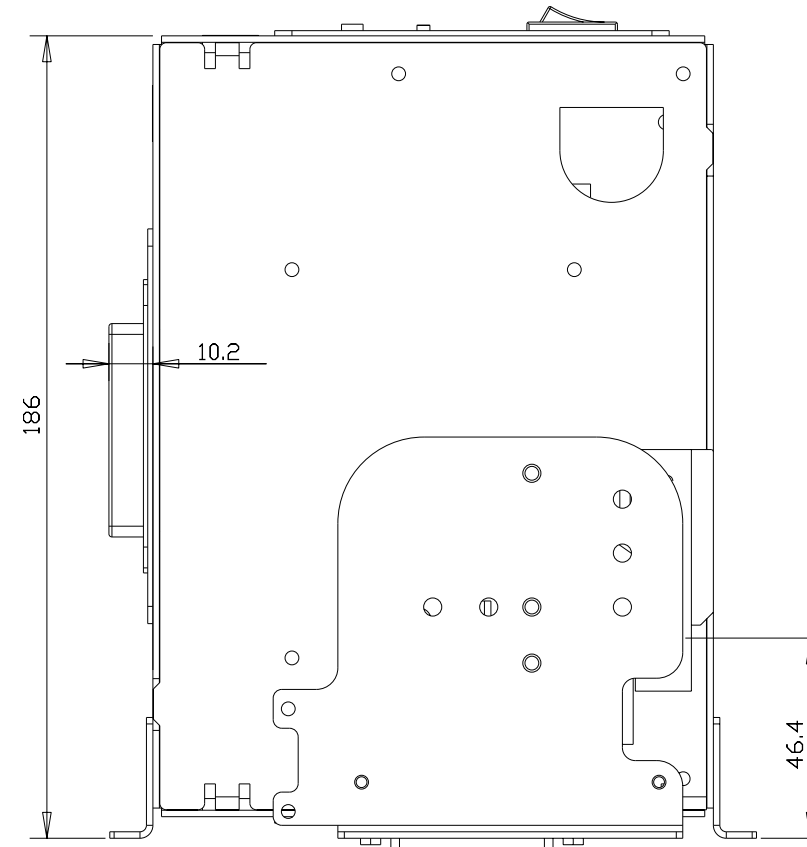
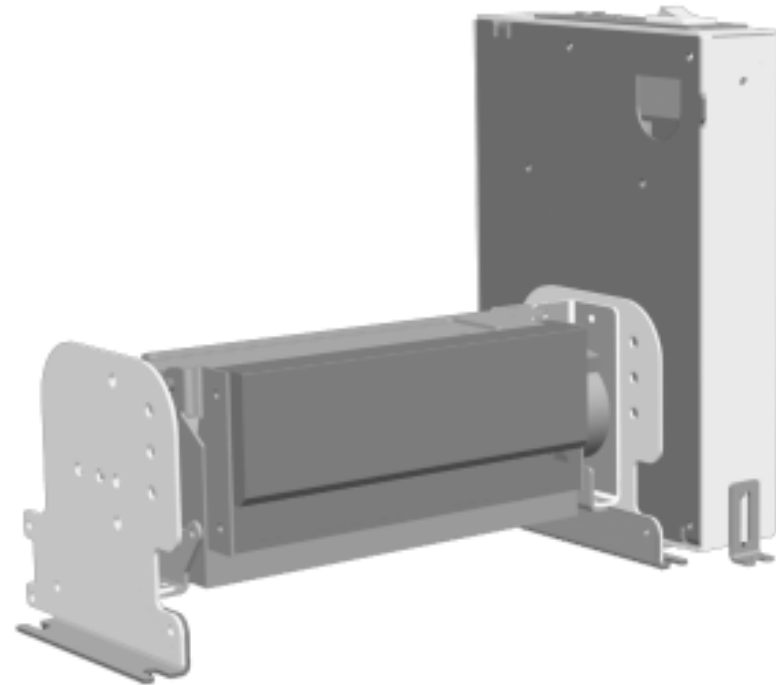
Dimensions in mm

Side mount with presenter



Dimensions in mm

Side mount without presenter





# **Bematech**

*Bematech International Corporation  
6850 Shiloh Road East, Suite D  
Alpharetta, GA 30005 USA  
(678) 947-8447 Tel.  
(770) 888-8535 Fax  
[www.bematech.com](http://www.bematech.com)*