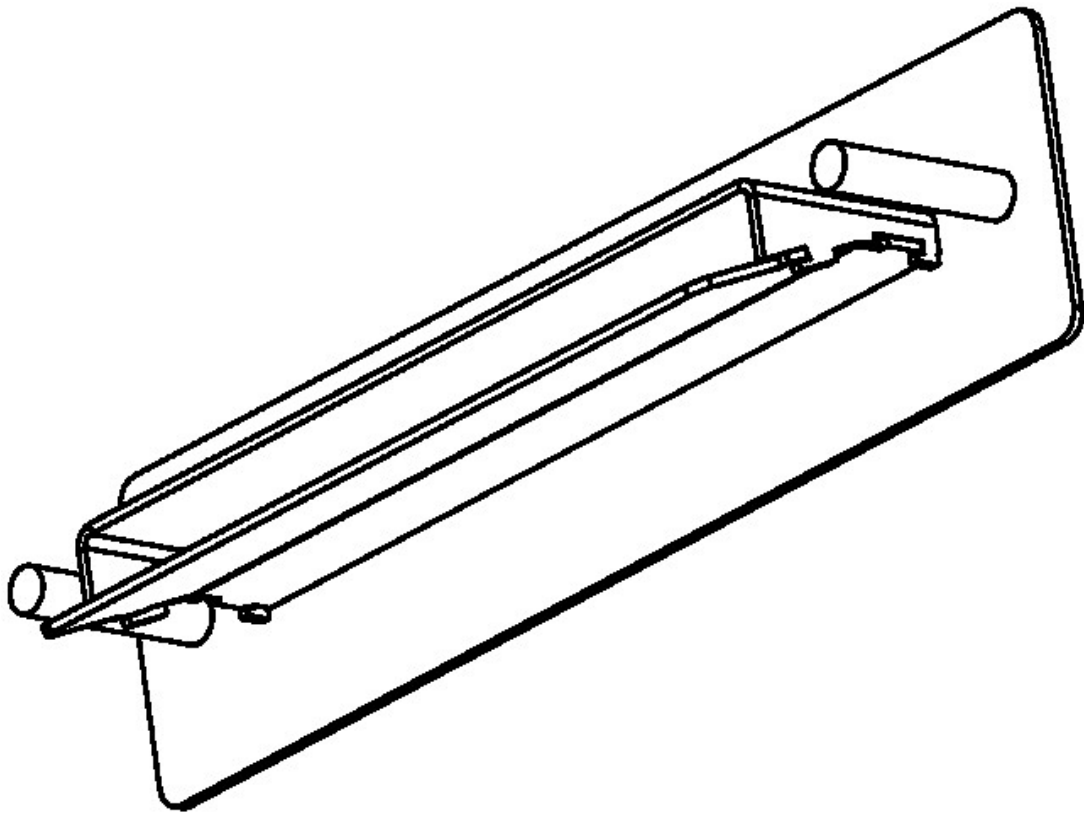


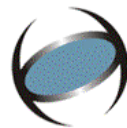
Kiosk Printer

Bezels

Specifications

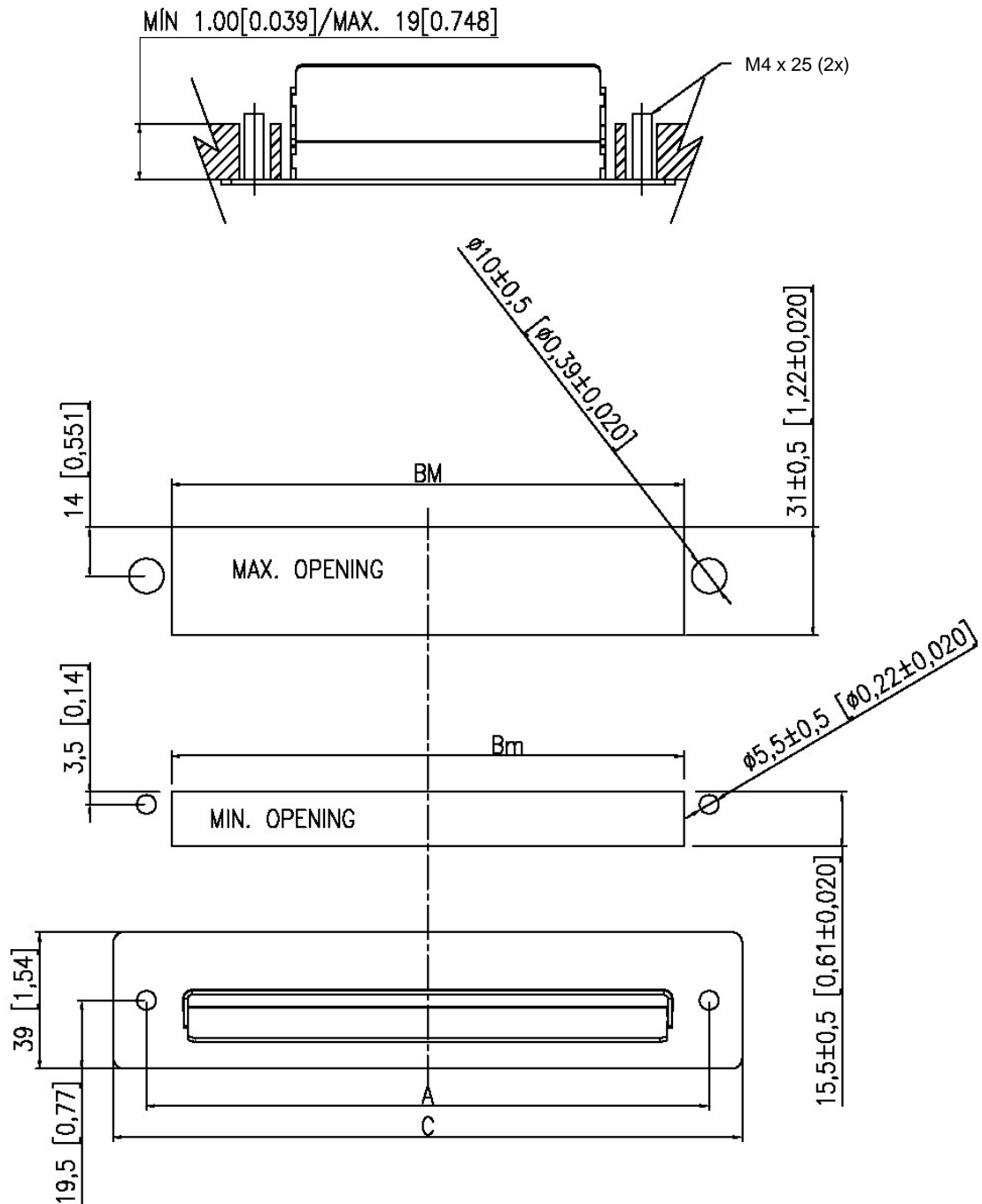


Rev. 04



Bematech
INTERNATIONAL

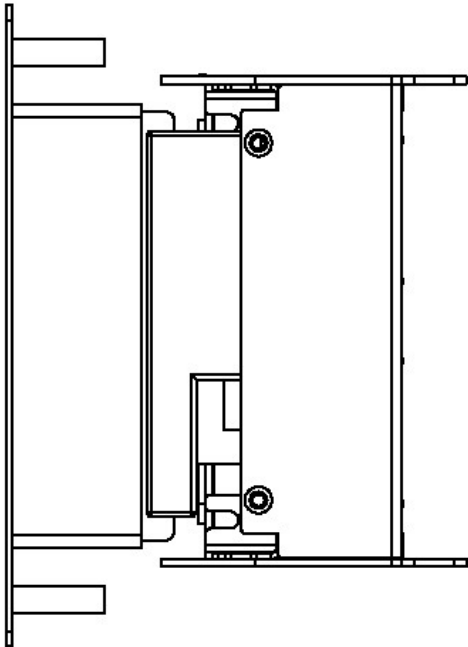
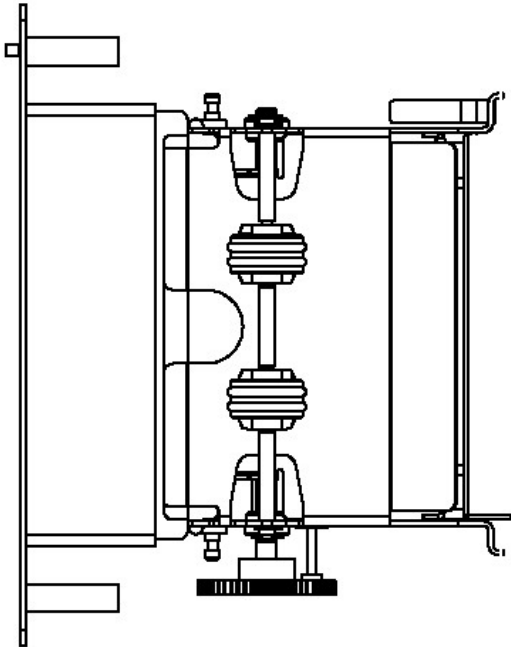
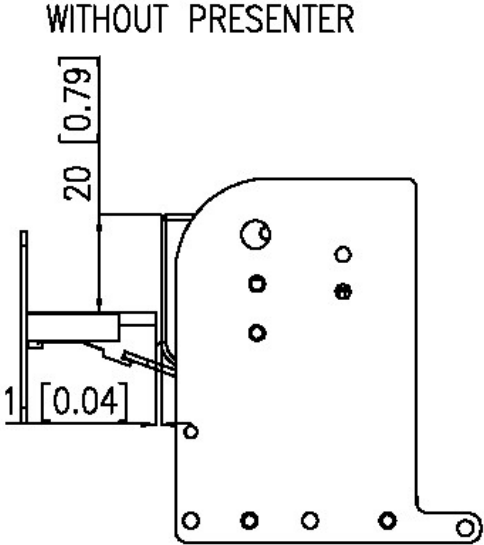
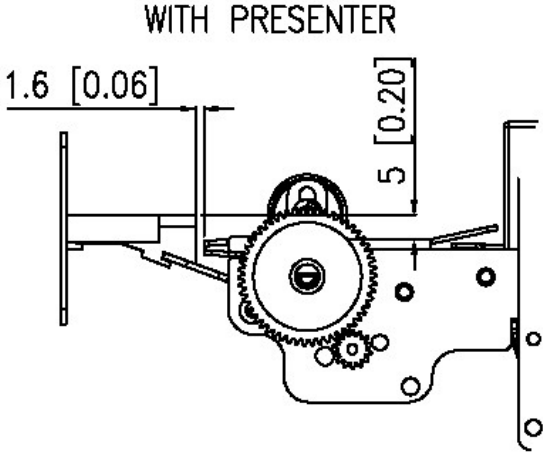
Drawings and Dimensions – 2”, 3”, 4” and 9.5” Bezels



Bezel type and dimensions	2"	3"	4"	9.5"
A	111.0 [4.37]	136.0 [5.35]	161.0 [6.33]	264.4 [10.40]
Bm	93.0 [3.66]	118.0 [4.66]	143.0 [5.62]	247.0 [9.72]
BM	102.5 [4.03]	127.5 [5.01]	152.5 [6.00]	255.0 [10.03]
C	130.0 [5.11]	155.0 [6.10]	180.0 [7.08]	283.4 [11.15]
Printer Model(s)	KF-6580	KC-1800	KC-4112	N/A

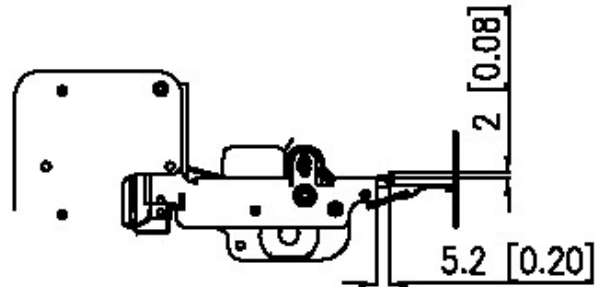
Dimensions in millimeters [inches]

Bezel (2") and KF-6580 Installation Specifications

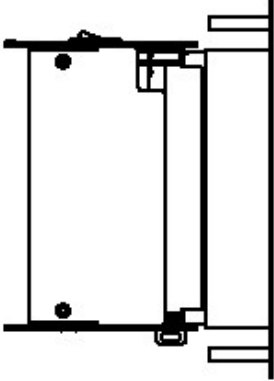
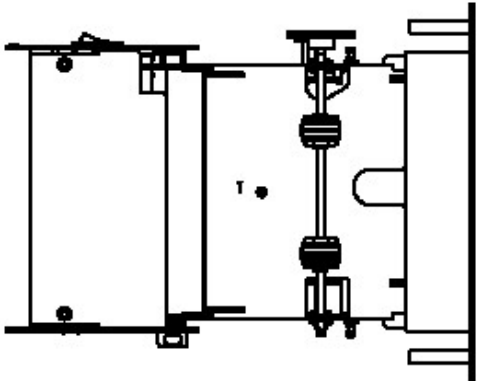
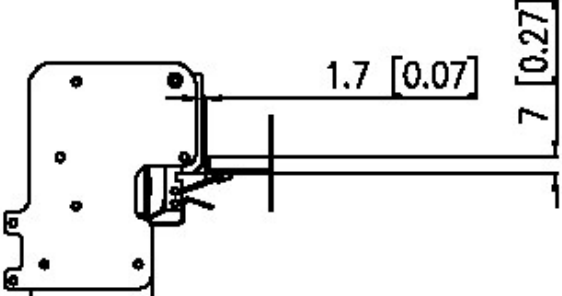


Bezel (3") and KC-1800 Installation Specifications

WITH PRESENTER

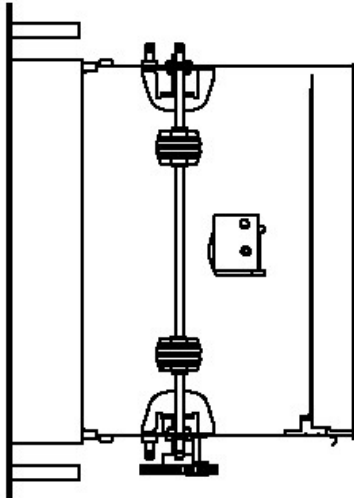
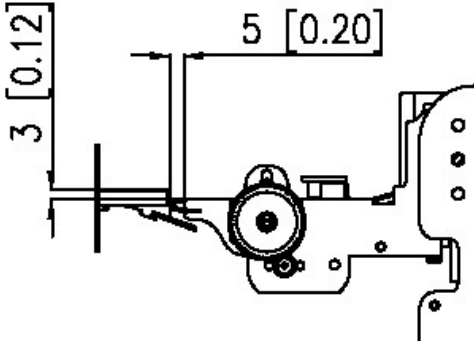


WITHOUT PRESENTER



Bezel (4") and KC-4112 Installation Specifications

WITH PRESENTER



WITHOUT PRESENTER

